

INDEX

SHEET NO.	SUBJECT
1	Reinforced Concrete Bridge Approach Index and General Notes
2	Reinforced Concrete Bridge Approach Square
3	Reinforced Concrete Bridge Approach Skewed
4	Reinforced Concrete Bridge Approach Section, Pavement Ledge, and Bar Bending Details

GENERAL NOTES:

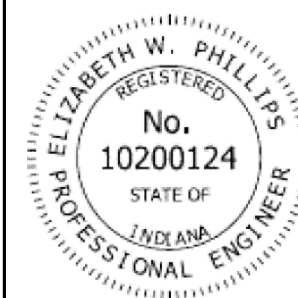
1. All reinforcing bars shall be epoxy coated.
2. See Standard Drawing series E 609-TBAE for RCBA extensions used with bridge railing transitions.
3. RCBA shall be surface sealed.

INDIANA DEPARTMENT OF TRANSPORTATION

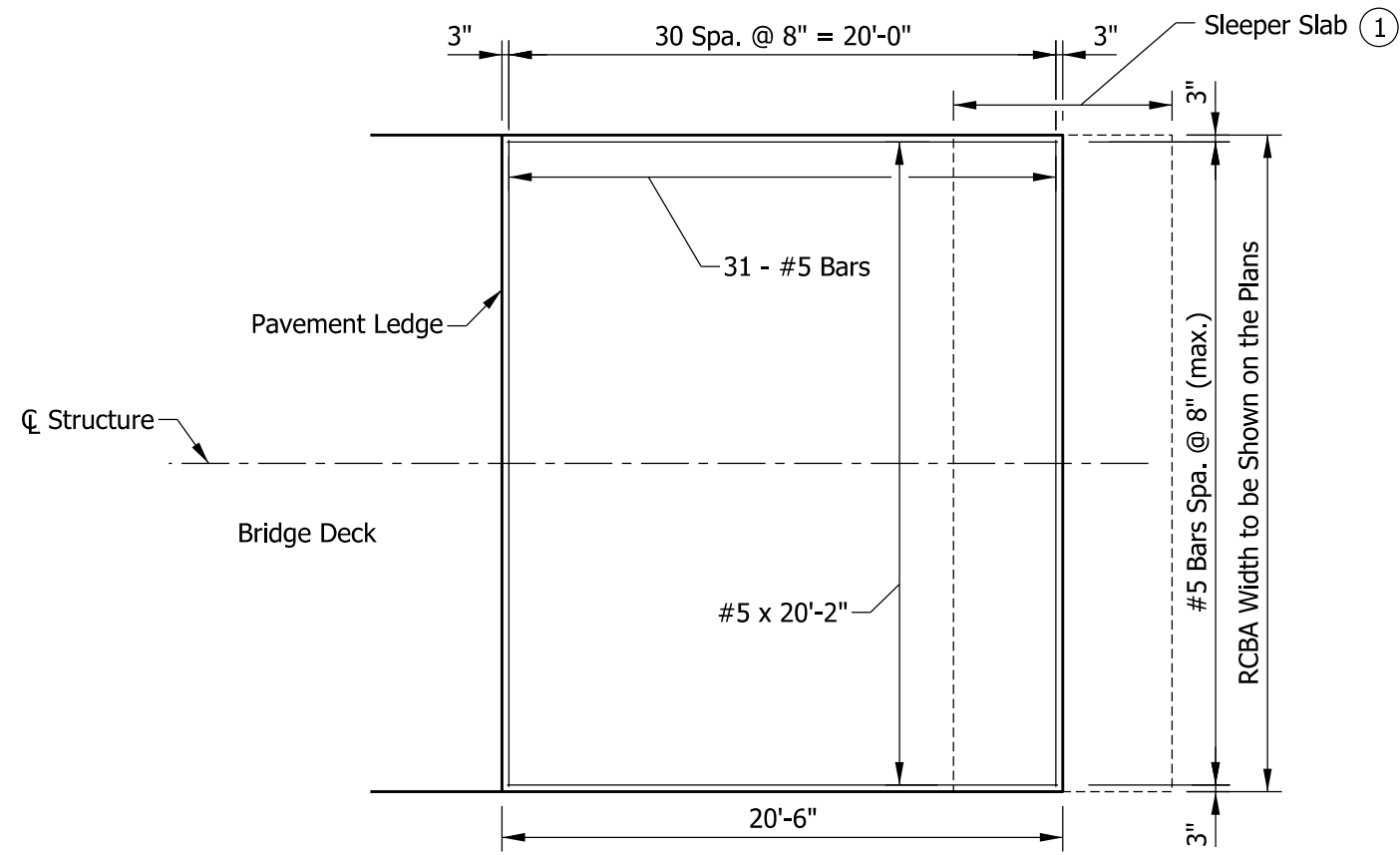
REINFORCED CONCRETE BRIDGE APPROACH
INDEX AND GENERAL NOTES

SEPTEMBER 2020

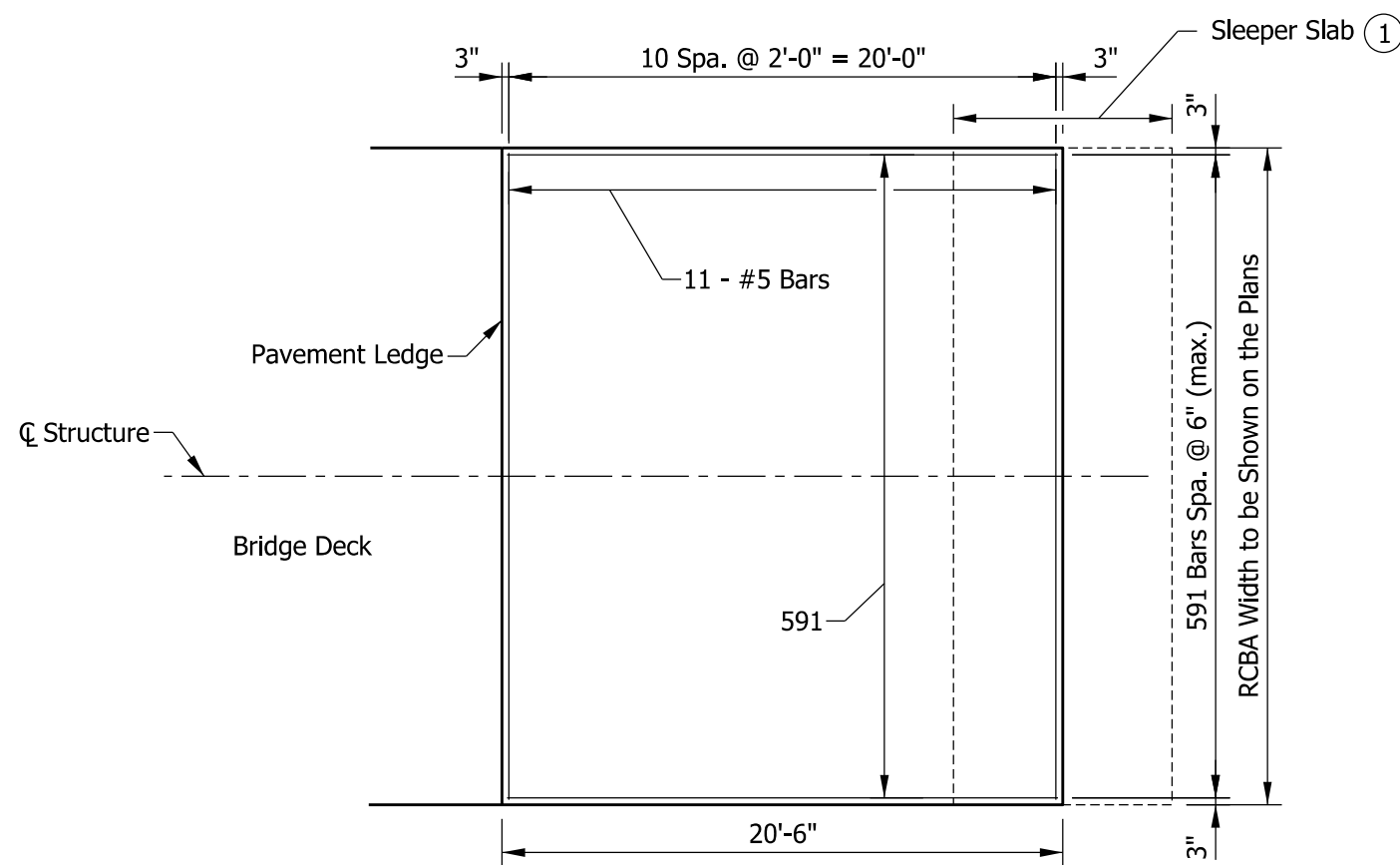
STANDARD DRAWING NO. E 609-RCBA-01



	03/10/20
DESIGN STANDARDS ENGINEER	DATE
	04/02/20
CHIEF ENGINEER	DATE



PLAN SHOWING TOP REINFORCING



PLAN SHOWING BOTTOM REINFORCING

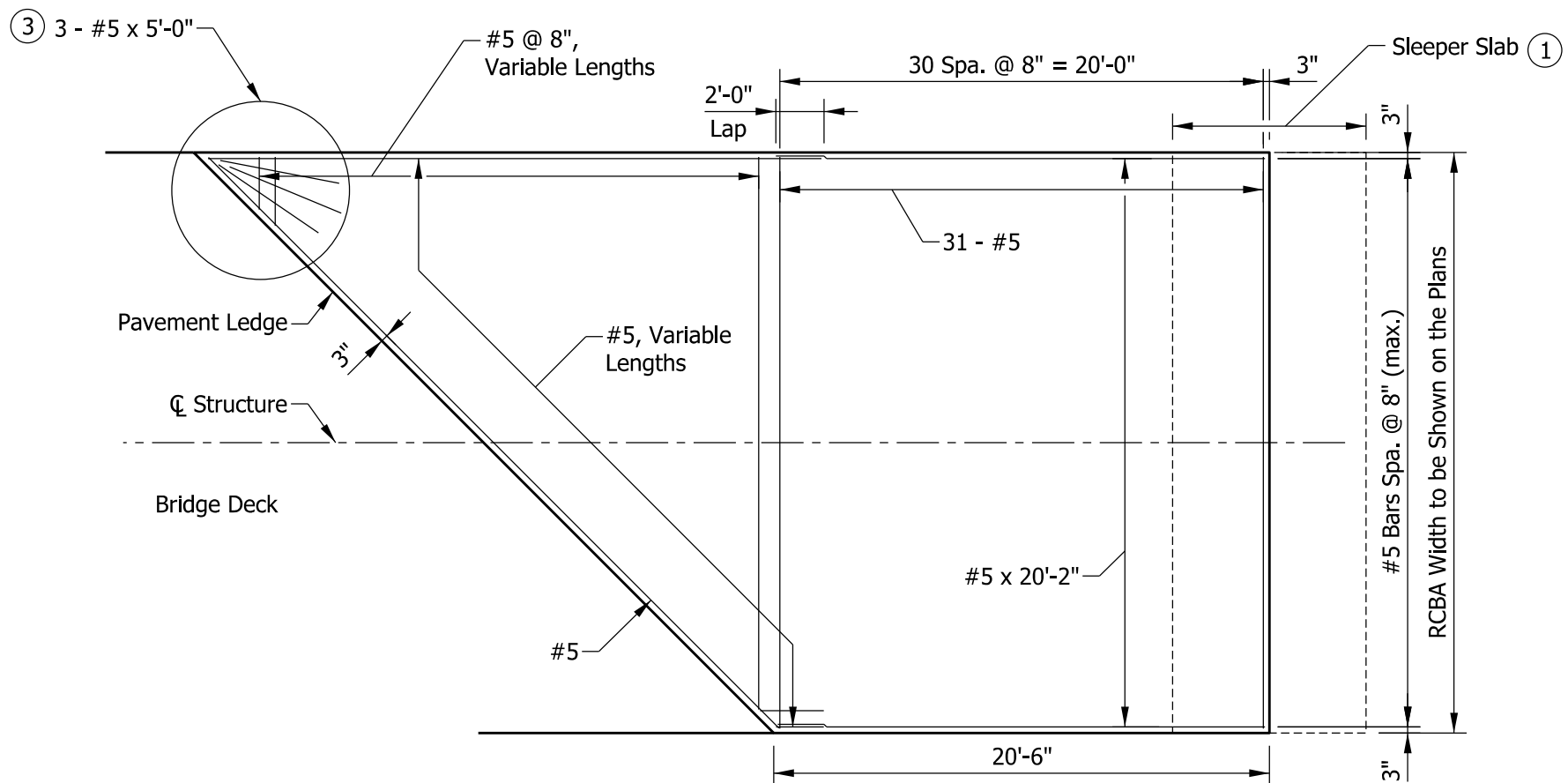
NOTES:

- ① When shown on the plans, see Standard Drawing series E 503-BATJ for terminal joint and sleeper slab details.

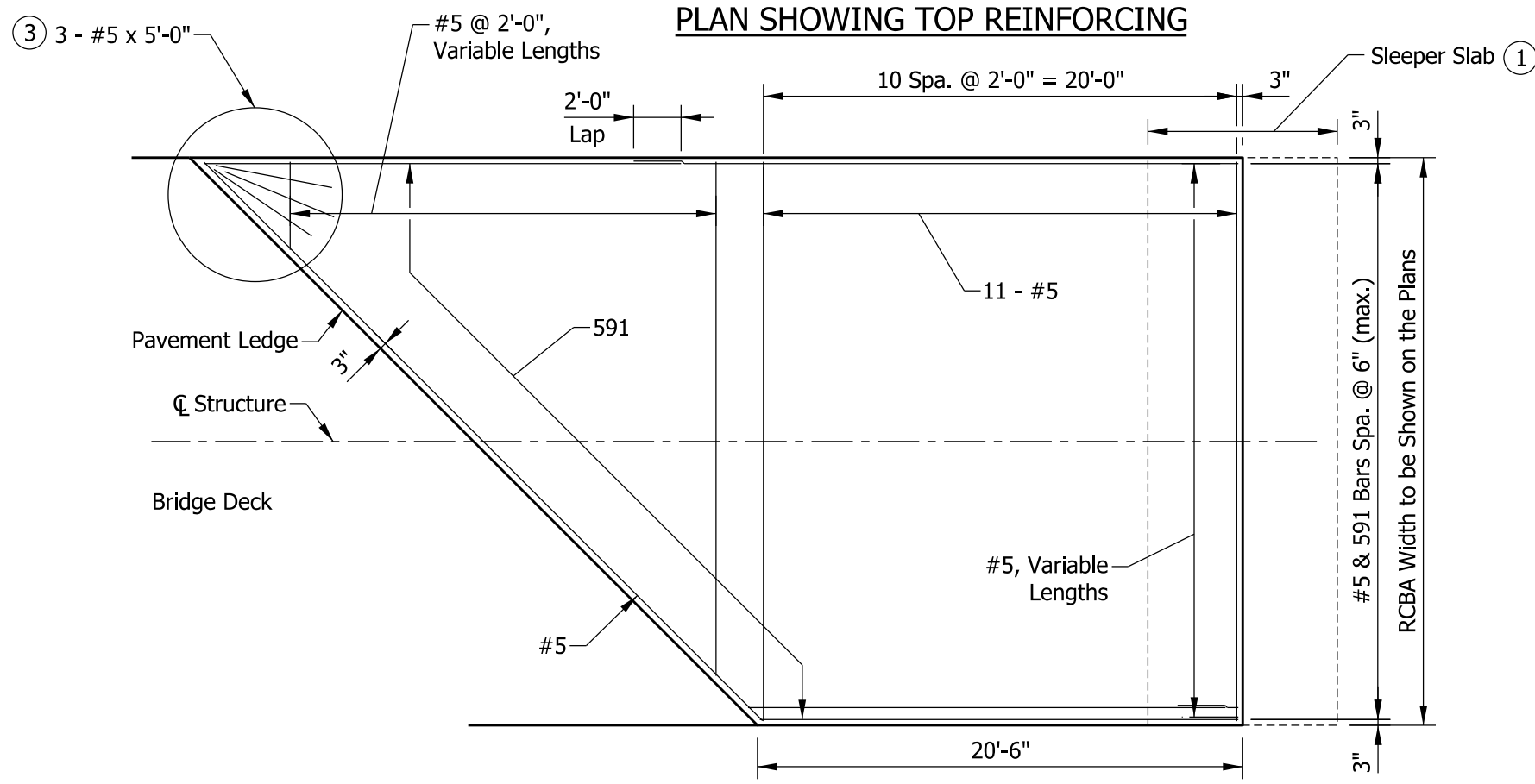
KEY:

RCBA = Reinforced Concrete Bridge Approach

INDIANA DEPARTMENT OF TRANSPORTATION	
REINFORCED CONCRETE BRIDGE APPROACH SQUARE	
SEPTEMBER 2020	
STANDARD DRAWING NO.	E 609-RCBA-02
	 DESIGN STANDARDS ENGINEER 03/10/20 DATE
	 CHIEF ENGINEER 04/02/20 DATE



PLAN SHOWING TOP REINFORCING





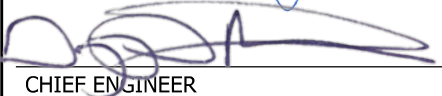
PLAN SHOWING BOTTOM REINFORCING

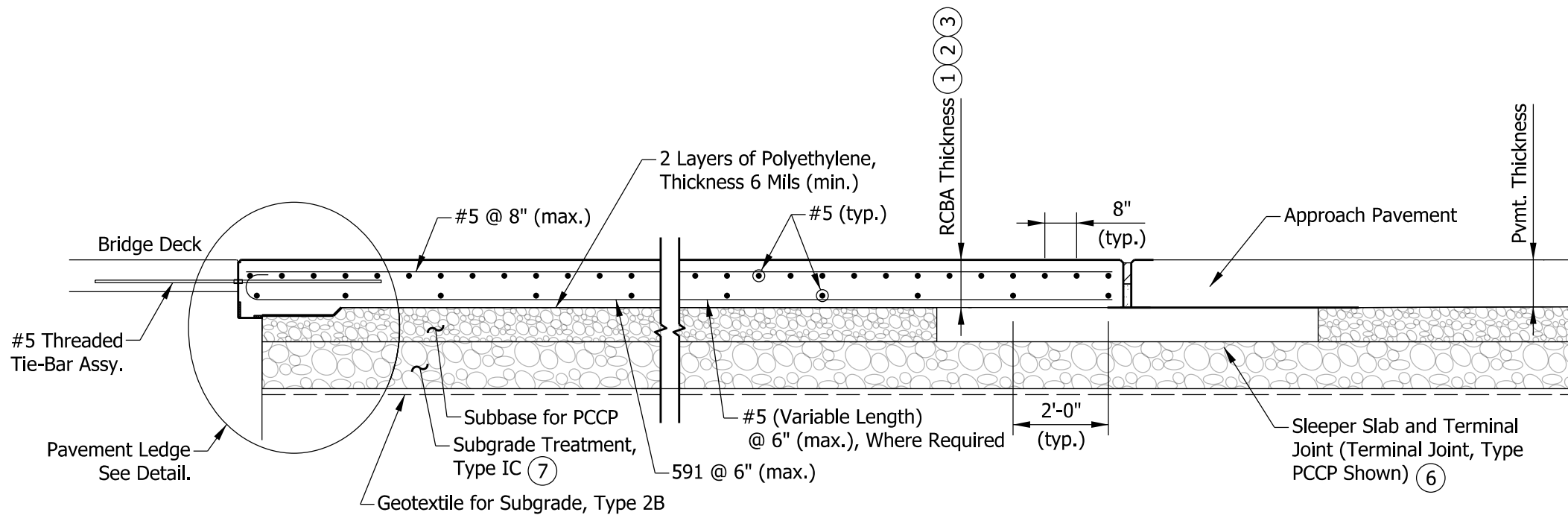
NOTES:

- ① When shown on the plans, see Standard Drawing series E 503-BATJ for terminal joint and sleeper slab details.
- 2. Variable-length #5 bars shall be detailed by means of cutting diagrams on the plans.
- ③ For skew > 15 degrees where variable-length transverse bars would be shorter than 2 ft 0 in., a fanned configuration of three #5 x 5'-0" reinforcing bars shall be provided.

KEY:

RCBA = Reinforced Concrete Bridge Approach

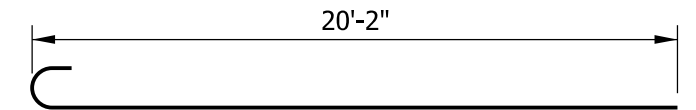
INDIANA DEPARTMENT OF TRANSPORTATION	
REINFORCED CONCRETE BRIDGE APPROACH SKEWED	
SEPTEMBER 2020	
STANDARD DRAWING NO.	E 609-RCBA-03
	<div style="display: flex; justify-content: space-between;"> <div style="text-align: center;">  DESIGN STANDARDS ENGINEER </div> <div style="text-align: right;"> 03/10/20 DATE </div> </div> <div style="display: flex; justify-content: space-between; margin-top: 10px;"> <div style="text-align: center;">  CHIEF ENGINEER </div> <div style="text-align: right;"> 04/02/20 DATE </div> </div>



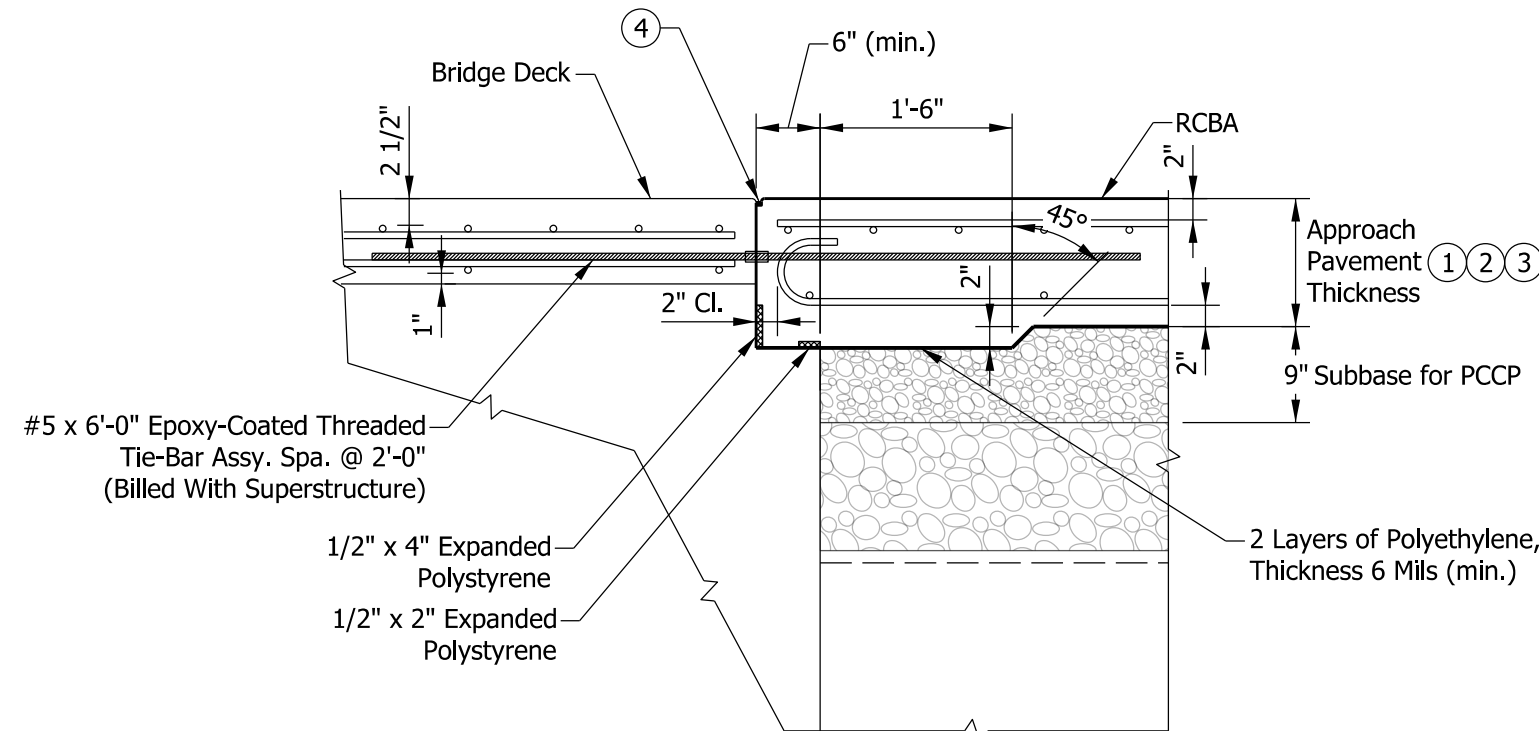
SECTION THROUGH APPROACH

NOTES:

- ① See plans for approach pavement thickness.
- ② For HMA approach pavement:
RCBA = 10 in. if design year AADT < 1000
RCBA = 12 in. if design year AADT ≥ 1000
- ③ For PCCP approach pavement:
RCBA = 12 in. if pavement thickness < 12 in.
RCBA = Same as pavement thickness, if pavement thickness ≥ 12 in.
- ④ See Standard Drawing series E 609-BRJT for joint type I-A details.
- 5. See Standard Drawing series E 703-BRST for reinforcing-bar bending details and notes.
- ⑥ When shown on the plans, see Standard Drawing series E 503-BATJ for terminal joint and sleeper slab details.
- ⑦ When the RCBA is constructed without a terminal joint, subgrade treatment shall be omitted and geotextile shall be placed under subbase for PCCP.





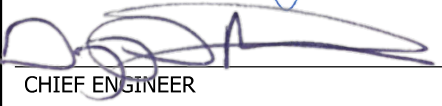
591 x 20'-9"



PAVEMENT LEDGE DETAIL

KEY:

RCBA = Reinforced Concrete Bridge Approach

INDIANA DEPARTMENT OF TRANSPORTATION	
REINFORCED CONCRETE BRIDGE APPROACH SECTION, PAVEMENT LEDGE, AND BAR BENDING DETAILS	
SEPTEMBER 2020	
STANDARD DRAWING NO.	E 609-RCBA-04
	 DESIGN STANDARDS ENGINEER 03/10/20 DATE
 CHIEF ENGINEER	04/02/20 DATE